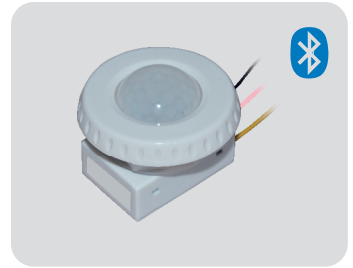


# Bluetooth Passive Infrared sensor



## SPECIFICATION

The BRI619-BLE-GE uses PIR motion detector architecture and passive infrared (PIR) technology for improved detection coverage for high bay applications.

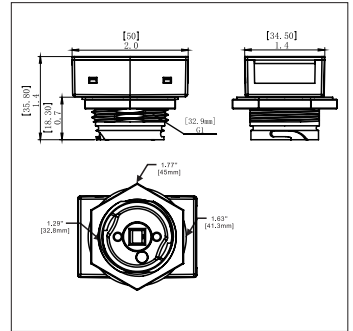


## OVERVIEW

- PIR sensor.
- Bluetooth® SIG mesh.
- High-End Trim, Zoning, Continuous Bi-level Dimming.
- LED Motion indicator.
- Mounting height up to 40 ft .
- 360° coverage pattern.
- Low Voltage connector.
- Technology Partner GEBC.

## FEATURES AND BENEFITS

- Bluetooth to 0-10V signal converter, Bluetooth® mesh network.
- Built-in 20mA 0-10V signal output.
- Mesh network, which has a much longer control distance, transmits received signals to neighboring devices.
- All devices on 0-10V line are broadcast controlled by mobile application.
- In typical outdoor environment, the typical range for wireless communication is 100ft(30m).
- Actual range is dependent on field installation.
- Available with magnetic reset(Touch the side part of sensor for 5 seconds) and remote reset (press "RESET"+" ON/OFF" buttons in sequence).
- On-board antenna.

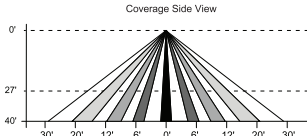


## TECHNICAL DATA

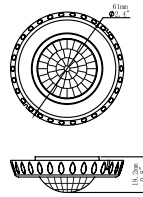
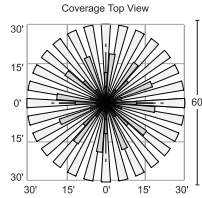
Motion Sensor	Passive infrared sensor
Input Power	12-24VDC, >50mA
Control Output	0-10V, max 25mA sinking current
Mounting height	40ft(12m) Max.
Detection angle	360°
Operating temperature	-20°C~60°C
IP rating	65
Max Bluetooth Range	100ft(30m)
Warranty	5years

# SENSOR COVERAGE

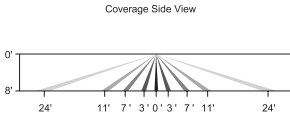
## L3



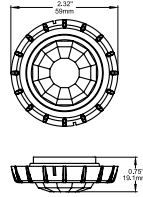
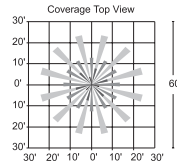
360° Coverage



## L4

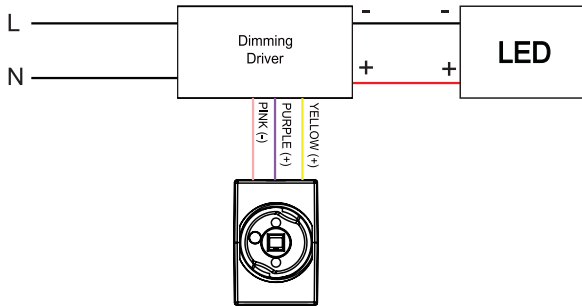


360° Coverage

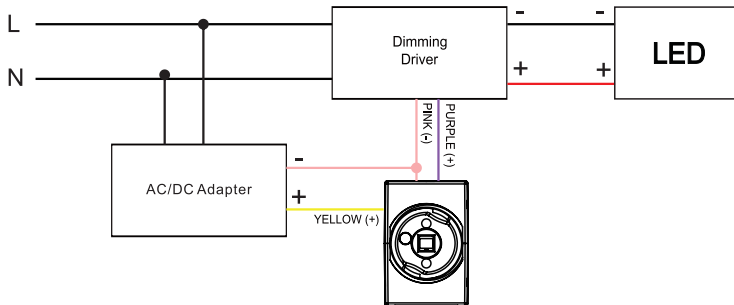


# WIRING DIAGRAMS

Wiring with 12-24V DC wire dimming ballast or LED driver.



Wiring by AC/DC Adapter with dimming ballast or led driver.



# ORDERING INFORMATION

BRI619-BLE-GE

Bluetooth Passive Infrared sensor