

120V Wireless 2-Button Dimmer Wall Switch



GEBC Bluetooth®

Download on the App Store



OVERVIEW

BC-USDM101-3-GE Bluetooth mesh dimmers provide automatic lighting control for a variety of indoor applications. They can replace any standard single-pole wall switch. 2-Button can be used for On/Off, and dimming controls. The configurations of each button can be personalized at the field.

Typical applications include public restrooms, private ofces, classrooms, conference rooms, storage spaces, and break rooms.

FEATURES & SPECIFICATIONS

Construction

- Bluetooth® SIG mesh.
- Manual on/off (wireless).
- Dim up/down (wireless).
- LED status indicator light.
- Mounts in any standard wall box.
- Color: white.
- Technology Partner GEBC.

Summary

- Product Type: Dimmer Wall Switch.
- Input Voltage | Power Consumption: 120VAC , 60Hz | Max 1.0W.
- Mounting: Standard wall box.
- Max Bluetooth Range: 164'(50m).

- Operating temperature: 0° to 55°C.
- Storage Temperature: -10° to 60°C.
- Relative Humidity: 90-95% non-condensing at 30°C.
- 5-years limited warranty.

Listings

- FCC
- ETL
- DLC
- Bluetooth®
- Declaration ID: D062134

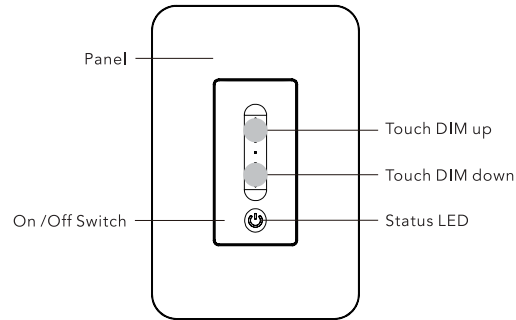
Note:

Bluetooth Range is highly dependent on the integration of fixtures, surrounding environment and conditions. It is recommended to conduct testing for range accuracy.

ORDERING GUIDE

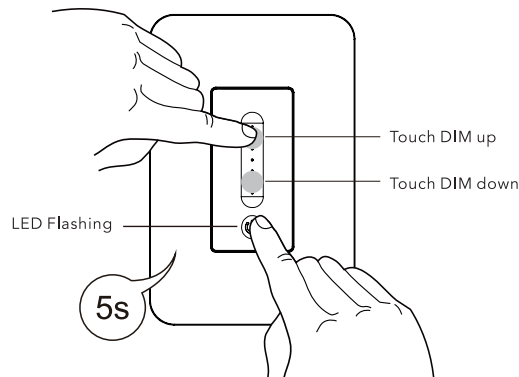
Description	Part Number
120VAC Wireless 2-Button Dimmer Wall Switch,Bluetooth Mesh in GEBC	BC-USDM101-3-GE

PRODUCT OUTLINE

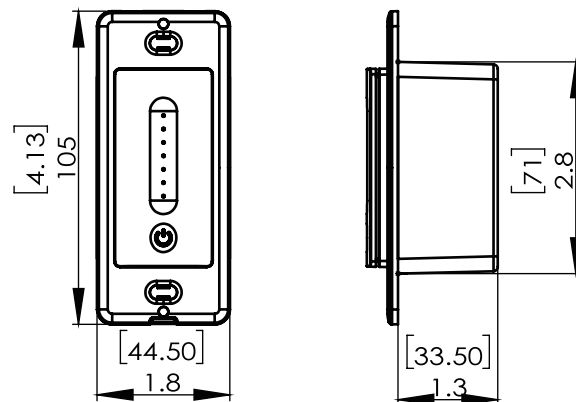


RESET

Press and hold Switch button and "DIM up" for 5s to reset the Dimmer and get into quick configure mode.



DIMENSIONS AND APPEARANCE



Unit:mm/in

WIRING DIAGRAM

