

Bluetooth Passive Infrared sensor

GEBC

SPECIFICATION

The ANT-6-4T-BLE-GE uses PIR motion detector architecture and passive infrared (PIR) technology for improved detection coverage for high bay applications.

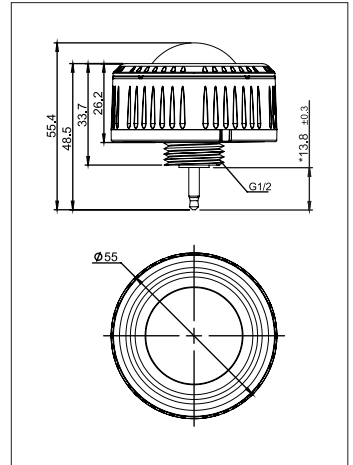


OVERVIEW

- PIR sensor.
- Daylight Harvesting
- Bluetooth® SIG mesh.
- High-End Trim, Zoning, Continuous Bi-level Dimming.
- LED Motion indicator.
- Mounting height up to 40 ft .
- 360° coverage pattern.
- Low Voltage connector.
- Technology Partner GEBC.

FEATURES AND BENEFITS

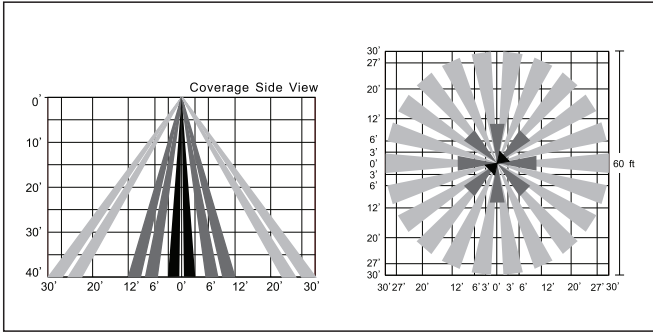
- Bluetooth to 0-10V signal converter, Bluetooth® mesh network.
- Built-in 20mA 0-10V signal output.
- Mesh network, which has a much longer control distance, transmits received signals to neighboring devices.
- All devices on 0-10V line are broadcast controlled by mobile application.
- In typical outdoor environment, the typical range for wireless communication is 164ft(50m).
- Actual range is dependent on field installation.
- Available with magnetic reset(Touch the side part of sensor for 5 seconds) and remote reset (press "RESET"+" ON/OFF" buttons in sequence).
- On-board antenna.



TECHNICAL DATA

Motion Sensor	Passive infrared sensor
Input Power	12-24VDC, >50mA
Control Output	0-10V, max 25mA sinking current
Mounting height	40ft(12m) Max.
Detection angle	360°
Operating temperature	-20°C~60°C
IP rating	65
Max Bluetooth Range	164ft(50m)
Warranty	5years

SENSOR COVERAGE



ORDERING INFORMATION

ANT-6-4T-BLE-GE Bluetooth Passive Infrared sensor